

SPARE PARTS CATALOGUE
CHAIN SAWS: HUSQVARNA 450 II

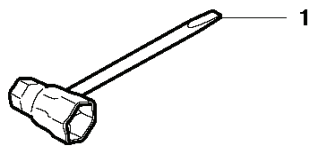
Spare Parts List

SPARE PARTS LIST

CHAIN SAWS

HUSQVARNA 450 II

P 450 II, 450e II
ACCESSORIES

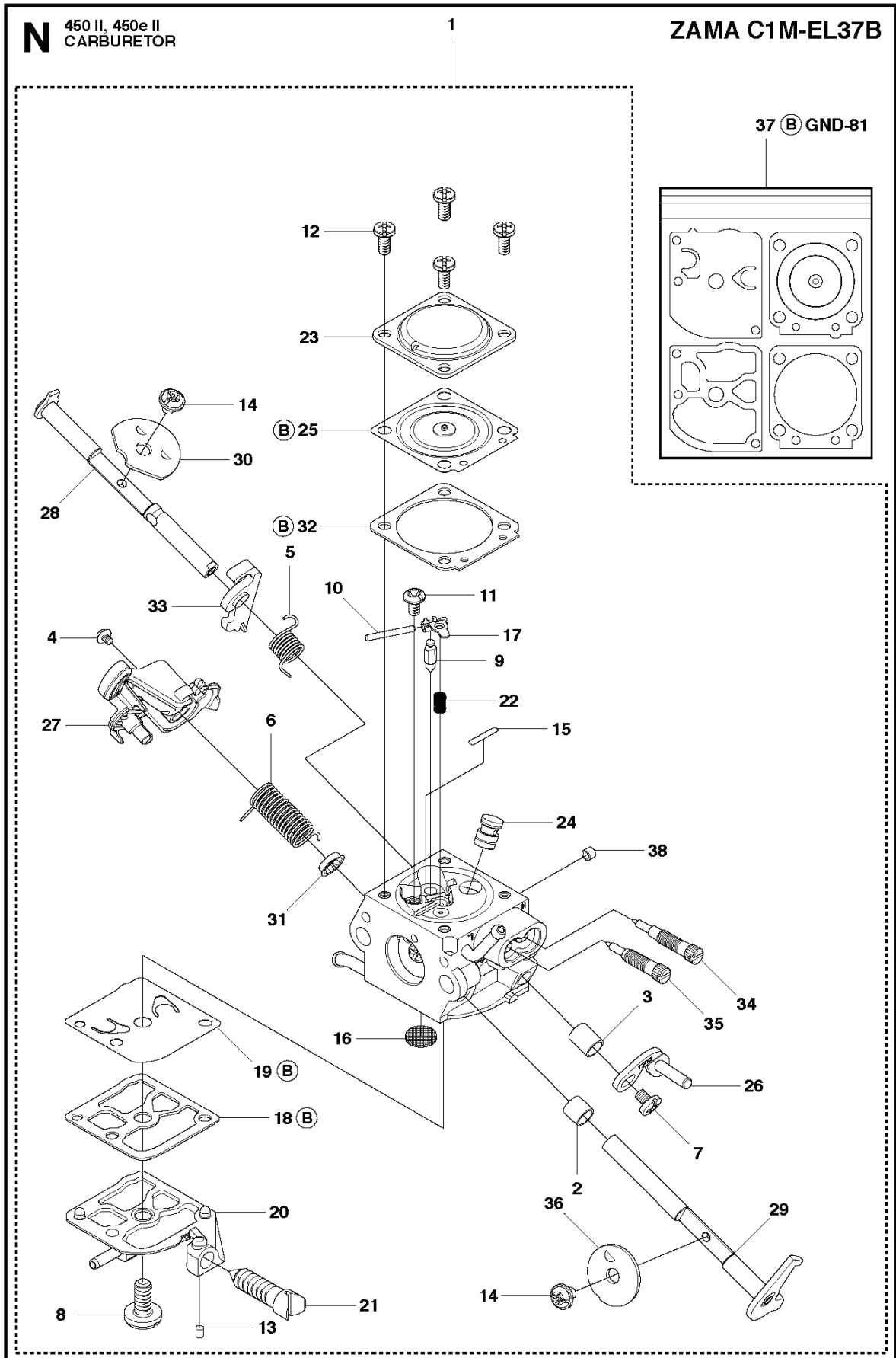


CHAIN SAWS

PXM_REF	PXM_PARTNO	DESCRIPTION	PXM_REMARK	QTY.
1	501691701	COMBINATION WRENCH		1

N 450 II, 450e II
CARBURETOR

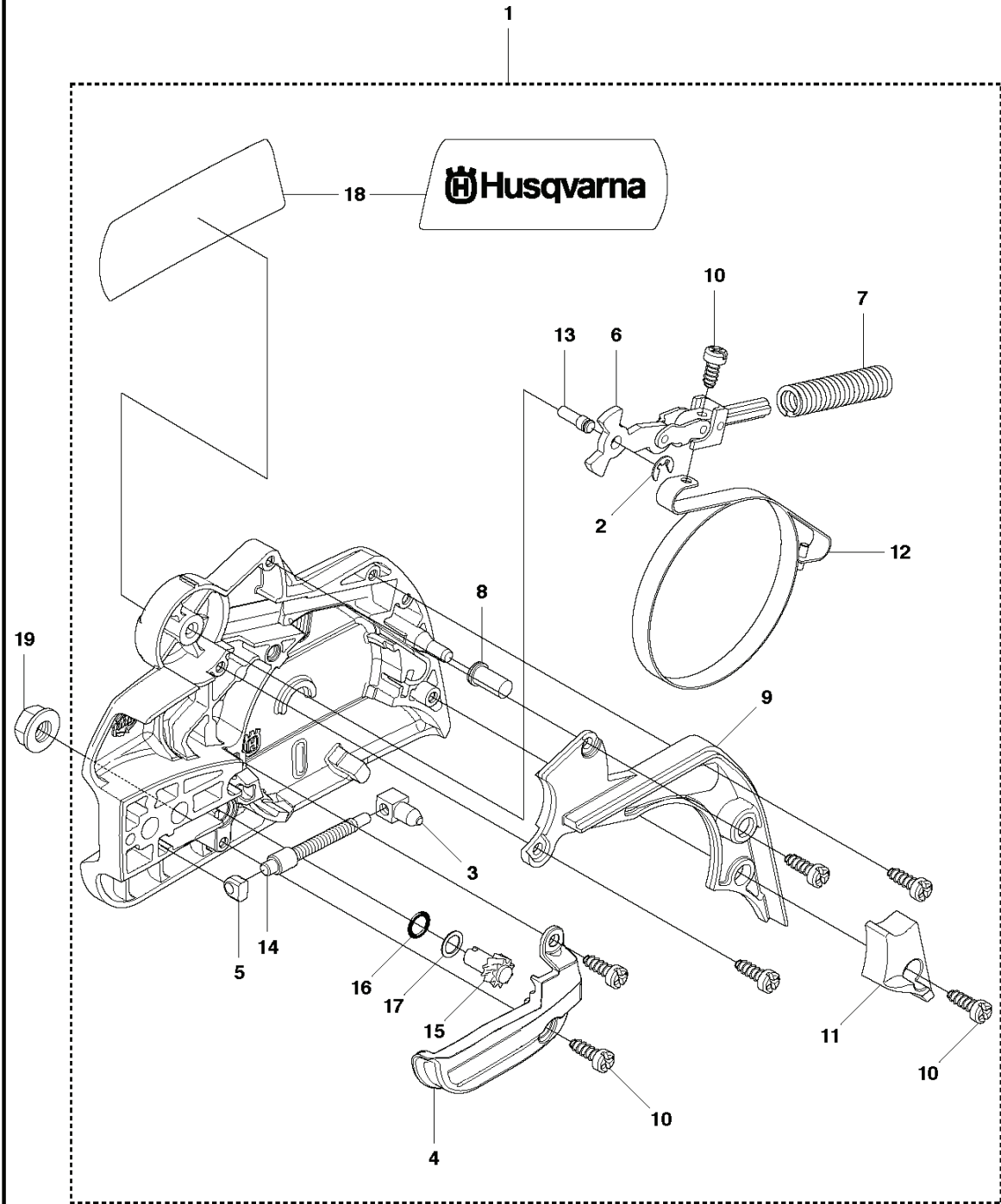
ZAMA C1M-EL37B



CHAIN SAWS

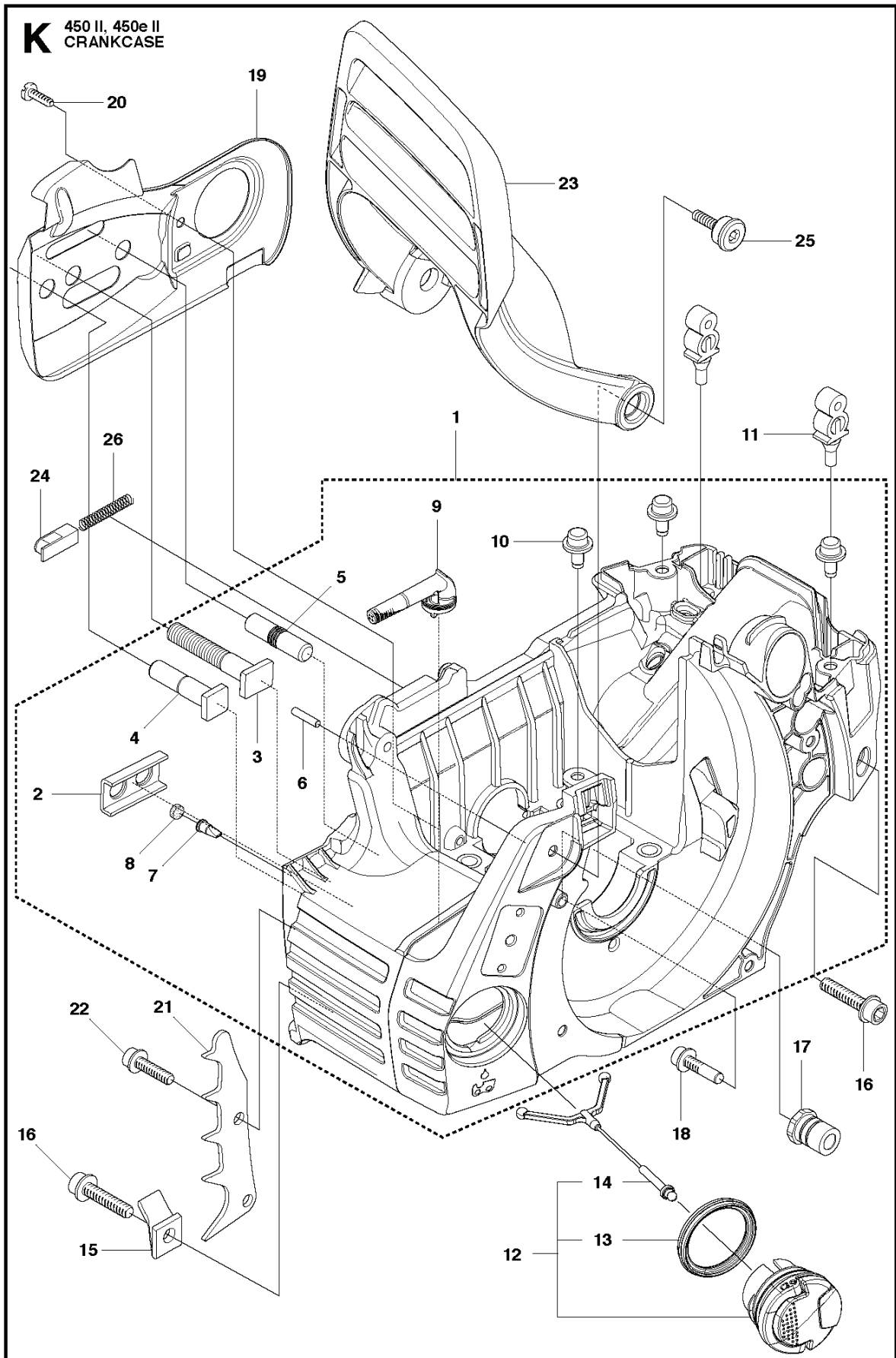
PXM_REF	PXM_PARTNO	DESCRIPTION	PXM_REMARK	QTY.
1	506450401	CARBURETTOR		1
2	502078201	COLLAR		1 1
3	502078301	COLLAR		1 1
4	502078401	SCREW		1 1
5	502078601	SPRING		1 1
6	502078701	SPRING		1 1
7	503479001	SCREW		1 1
8	503479601	SCREW		1 1
9	503479701	VALVE		1 1
10	503480001	PIN RETAINING SCREW		1 1
11	503480101	SCREW		1 1
12	503480501	SCREW		4 1
13	503481101	PIECE		1 1
14	503481801	SCREW		2 1
15	503535601	PLUG WELCH		2 1
16	503535701	STRAINER		1 1
17	503665901	LEVER		1 1
18	537020101	GASKET		1 1,37
19	537383101	DIAPHRAGM PUMP		1 1,37
20	502078901	COVER		1 1
21	537383301	SCREW		1 1
22	537383401	SPRING		1 1
23	537383701	COVER		1 1
24	544237701	NOZZLE ASSY		1 1
25	502079001	DIAPHRAGM		1 1,37
26	502079101	LEVER		1 1
27	505101701	LEVER		1 1
28	502079401	SHAFT ASSY		1 1
29	502079501	SHAFT ASSY		1 1
30	502247701	VALVE		1 1
31	502079801	COLLAR		1 1
32	537383601	GASKET		1 1,37
33	502081701	LEVER		1 1
34	502079901	SCREW		1 1
35	502080001	SCREW		1 1
36	502080101	VALVE		1 1
37	502080201	GASKET KIT	B = Set of Gaskets	1
38	544119501	PLUG		1 1

A2 450 II
CHAIN BRAKE & CLUTCH COVER



CHAIN SAWS

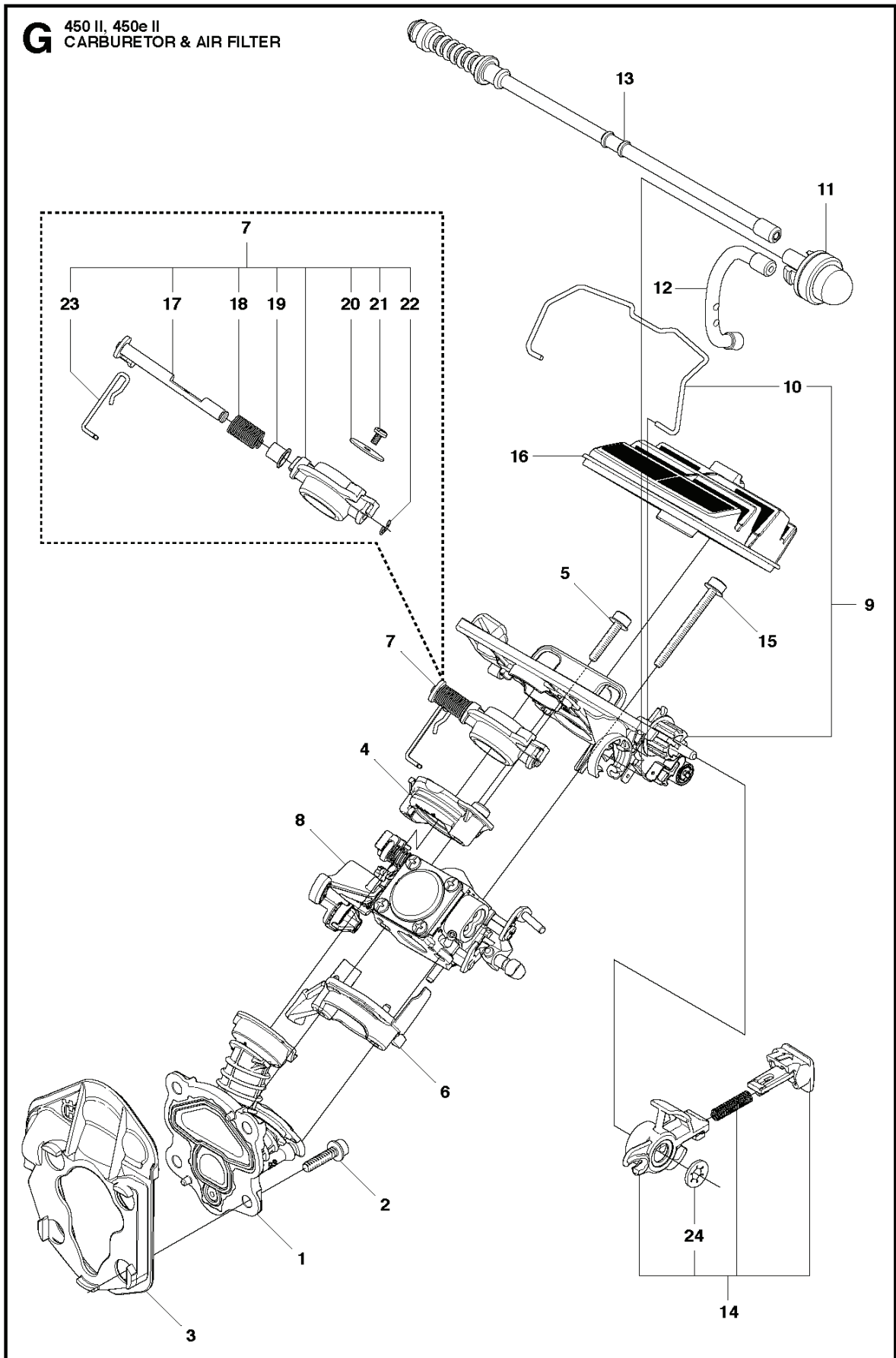
PXM_REF	PXM_PARTNO	DESCRIPTION	PXM_REMARK	QTY.
1	544097901	CLUTCH COVER ASSY		1
2	735310820	E-CLIP		1 1
3	537286601	PAWL		1 1
4	540063301	CHAIN GUIDE		1 1
5	537017401	BEARING SLEEVE		1 1
6	503890802	KNEE JOINT ASSY		1 1
7	503465901	BRAKE SPRING		1 1
8	503855201	GUIDE BUSHING		1 1
9	544082901	COVER LID		1 1
10	526221801	SCREW CITXPANT		7 1
11	544083001	WEAR PROTECTION		1 1
12	537043001	BRAKE BAND ASSY		1 1
13	503892901	PIN		1 1
14	537397001	WORM SCREW		1 1
15	537079402	WORM WHEEL		1 1
16	740480702	O-RING		1 1
17	503230063	WASHER		1 1
18	544376801	LABEL		1 1
19	503220001	HEXAGON NUT		1
19	503220010	NUT	30 pcs. plastic bag of 503220001	1



CHAIN SAWS

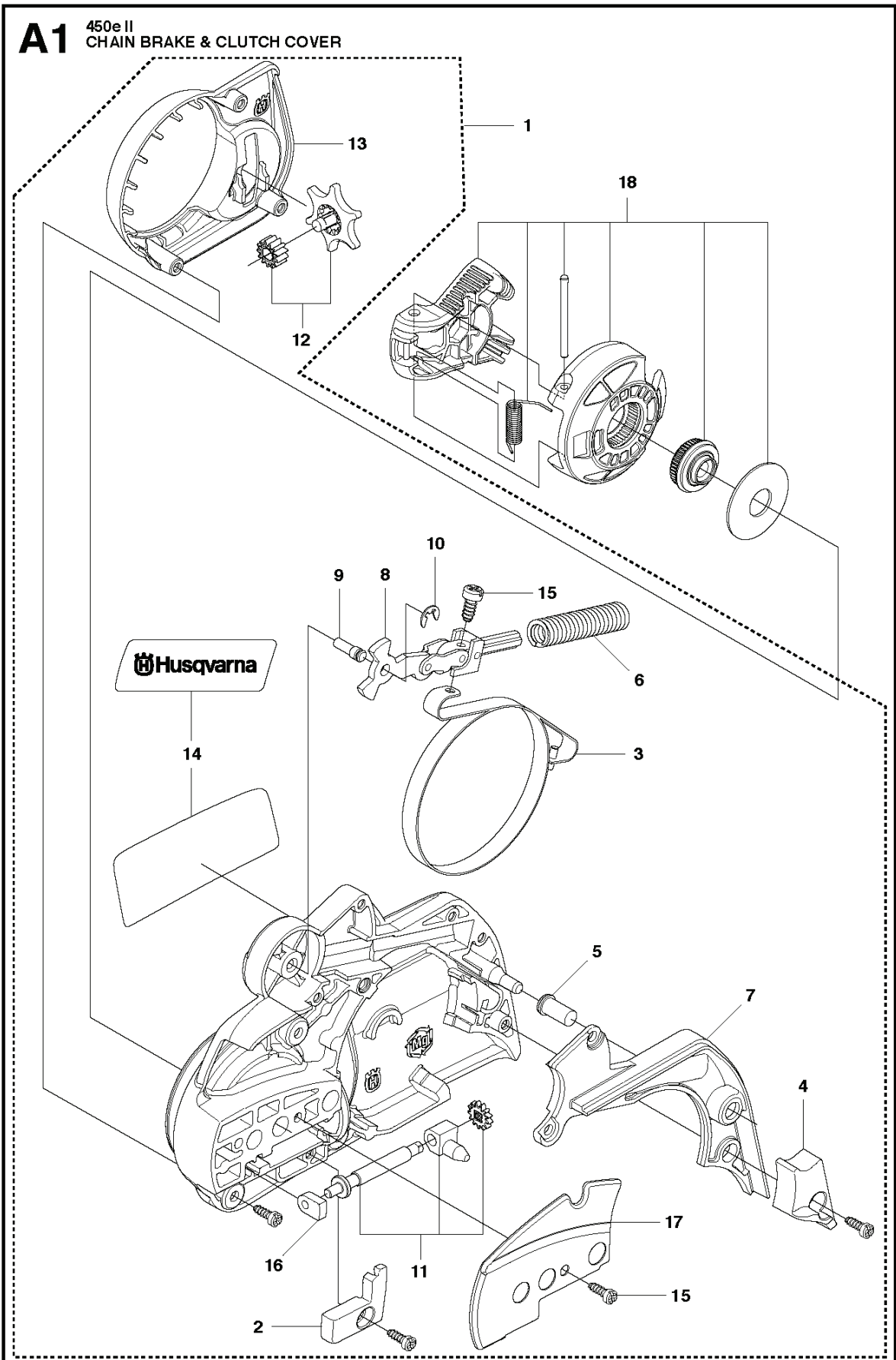
PXM_REF	PXM_PARTNO	DESCRIPTION	PXM_REMARK	QTY.
1	537438201	CRANKCASE	ORANGE	1
1	537438205	CRANKCASE	GREY	1
2	503875802	STIFFENING PLATE		1 1
3	503875402	BAR BOLT		1 1
4	537334601	BAR BOLT		1 1
5	544036401	BAR BOLT		1 1
6	503240905	NEEDLE ROLLER		1 1
7	530026119	CHECK VALVE		1 1
8	537403501	FILTER		1 1
9	544083301	OIL SCREEN		1 1
10	544331601	GUIDE PIN		3 1
11	503869301	SUPPORT		2
12	522620003	TANK CAP ASSY		1
13	589241101	GASKET		1 12
14	503578901	HOLDER		1 12
15	503886301	PIN		1
16	503218876	SCREW IHSC T		2
17	501007601	SUPPORT		2
18	503215103	SCREW IHSC T		1
19	544094001	CHAIN GUIDE PLATE		1
20	503217010	SCREW CCRPANT		1
21	503905901	SPIKE		1
22	503217520	SCREW IHSCFT		2
23	544082601	HAND GUARD		1
24	503892401	LOCK		1
25	503893001	SCREW		2
26	503436501	POSITION SPRING		1

G 450 II, 450e II
CARBURETOR & AIR FILTER



CHAIN SAWS

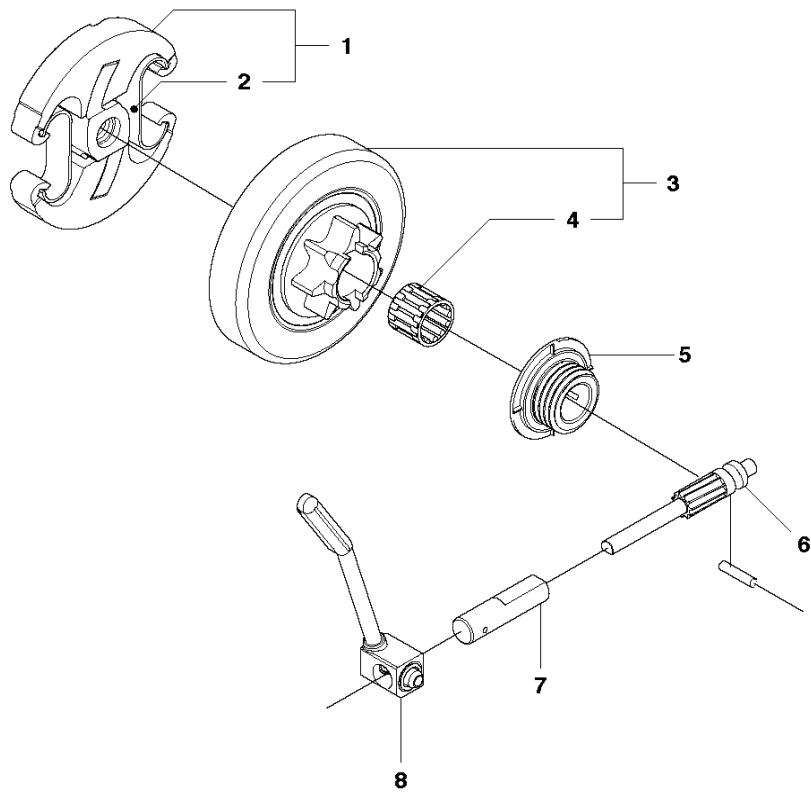
PXM_REF	PXM_PARTNO	DESCRIPTION	PXM_REMARK	QTY.
1	544082301	PIPE ASSY		1
2	503200216	SCREW IHSCFM		4
3	544083801	INTERMEDATE WALL		1
4	544084001	FLANGE		1
5	503210725	SCREW IHSCFT		2
6	544084101	FLANGE		1
7	544148201	THROTTLE		1
8	506450401	CARBURETTOR	C1M-EL37B	1
9	505514701	FILTER HOLDER ASSY		1
10	544231401	SHACKLE		1 9
11	503936601	PURGE	air purge	1
12	544401901	HOSE	suction hose	1
13	577535101	RETURN HOSE	return hose	1
14	544359902	CONTROL		1
15	503210750	SCREW IHSCFT		2
16	544080801	AIR FILTER	80μ	1
16	544080802	AIR FILTER	44μ	1
16	544080803	AIR FILTER	Felt	1
17	502081001	SHAFT ASSY		1 7
18	502081101	SPRING		1 7
19	502080801	COLLAR		1 7
20	502081201	VALVE		1 7
21	503481801	SCREW		1 7
22	537385201	CLIP		1 7
23	502080901	ROD		1 7
24	735583000	WASHER		1 14



CHAIN SAWS

PXM_REF	PXM_PARTNO	DESCRIPTION	PXM_REMARK	QTY.
1	544217201	CLUTCH COVER ASSY		1
2	504542801	COVER LID		1 1
3	537043001	BRAKE BAND ASSY		1 1
4	544083001	WEAR PROTECTION		1 1
5	503855201	GUIDE BUSHING		1 1
6	503465901	BRAKE SPRING		1 1
7	544082901	COVER LID		1 1
8	503890802	KNEE JOINT ASSY		1 1
9	503892901	PIN		1 1
10	735310820	E-CLIP		1 1
11	537392901	SCREW		1 1
12	537347201	GEAR ASSY		1 1
13	537392601	HEAT PROTECTOR		1 1
14	544357501	LABEL		1 1
15	526221801	SCREW CITXPANT		10 1
16	525354301	BEARING SLEEVE		1 1
17	544250501	WEAR PLATE		1 1
18	537347801	KNOB		1

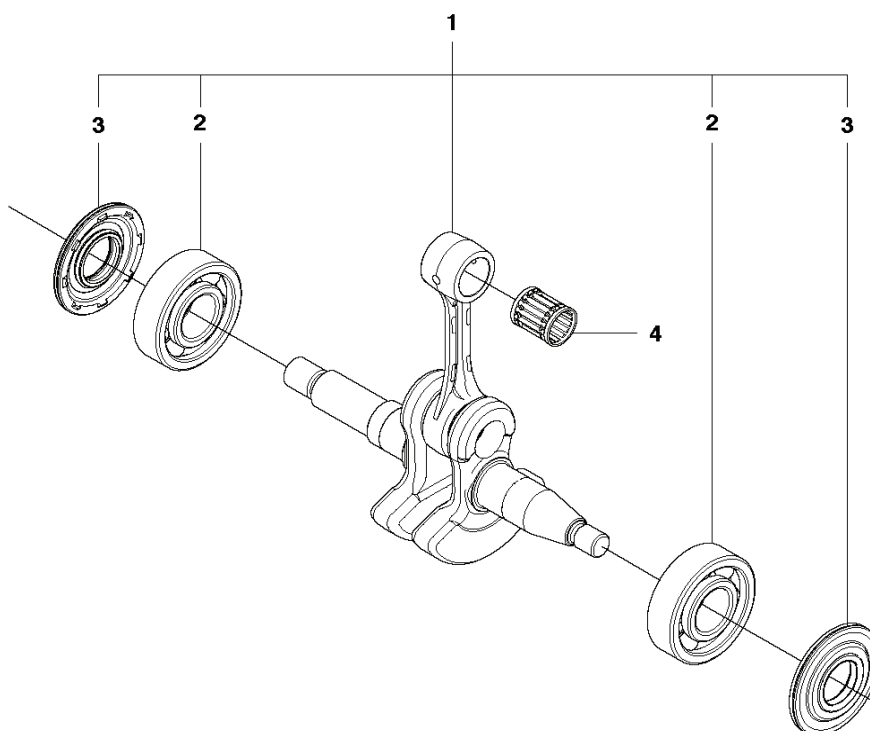
B 450 II, 450e II
CLUTCH & OIL PUMP



CHAIN SAWS

PXM_REF	PXM_PARTNO	DESCRIPTION	PXM_REMARK	QTY.
1	537110503	CLUTCH ASSY		1
2	537359101	CLUTCH SPRING		2 1
3	578097901	CLUTCH DRUM ASSY		1
4	503255201	NEEDLE BEARING		1 3
5	503931801	PUMP PINION		1
6	540057901	PUMP PISTON		1
7	537154801	PUMP CYLINDER		1
8	544084202	OIL HOSE		1

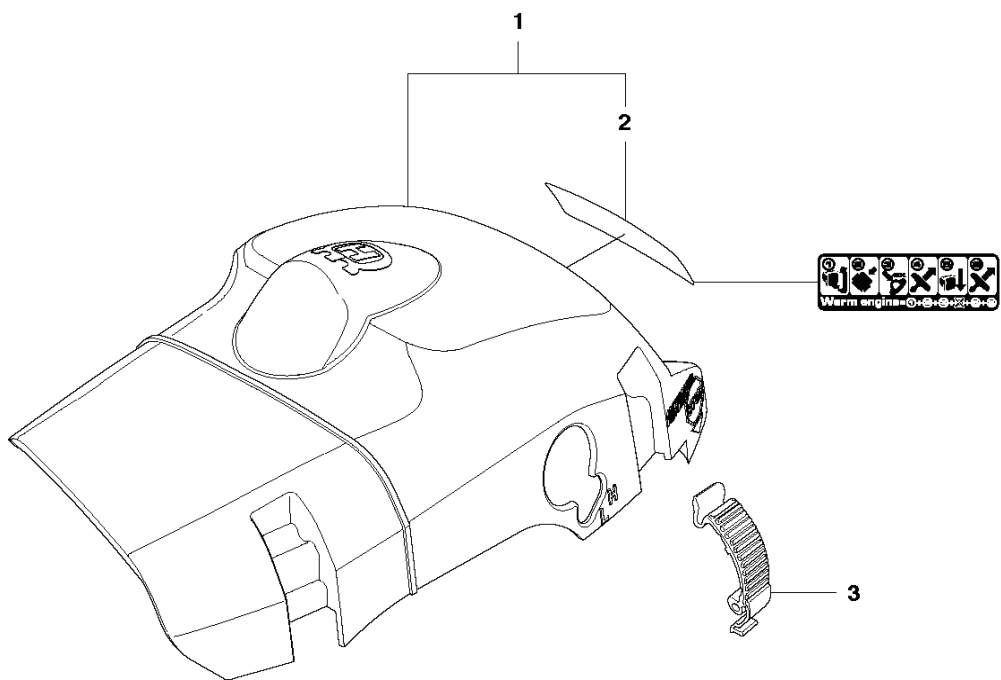
J 450 II, 450e II
CRANKSHAFT



CHAIN SAWS

PXM_REF	PXM_PARTNO	DESCRIPTION	PXM_REMARK	QTY.
1	525605001	CRANKSHAFT ASSY		1
2	544062001	BEARING		2 1
3	544013801	SEALING		2 1
4	503256302	NEEDLE BEARING		1

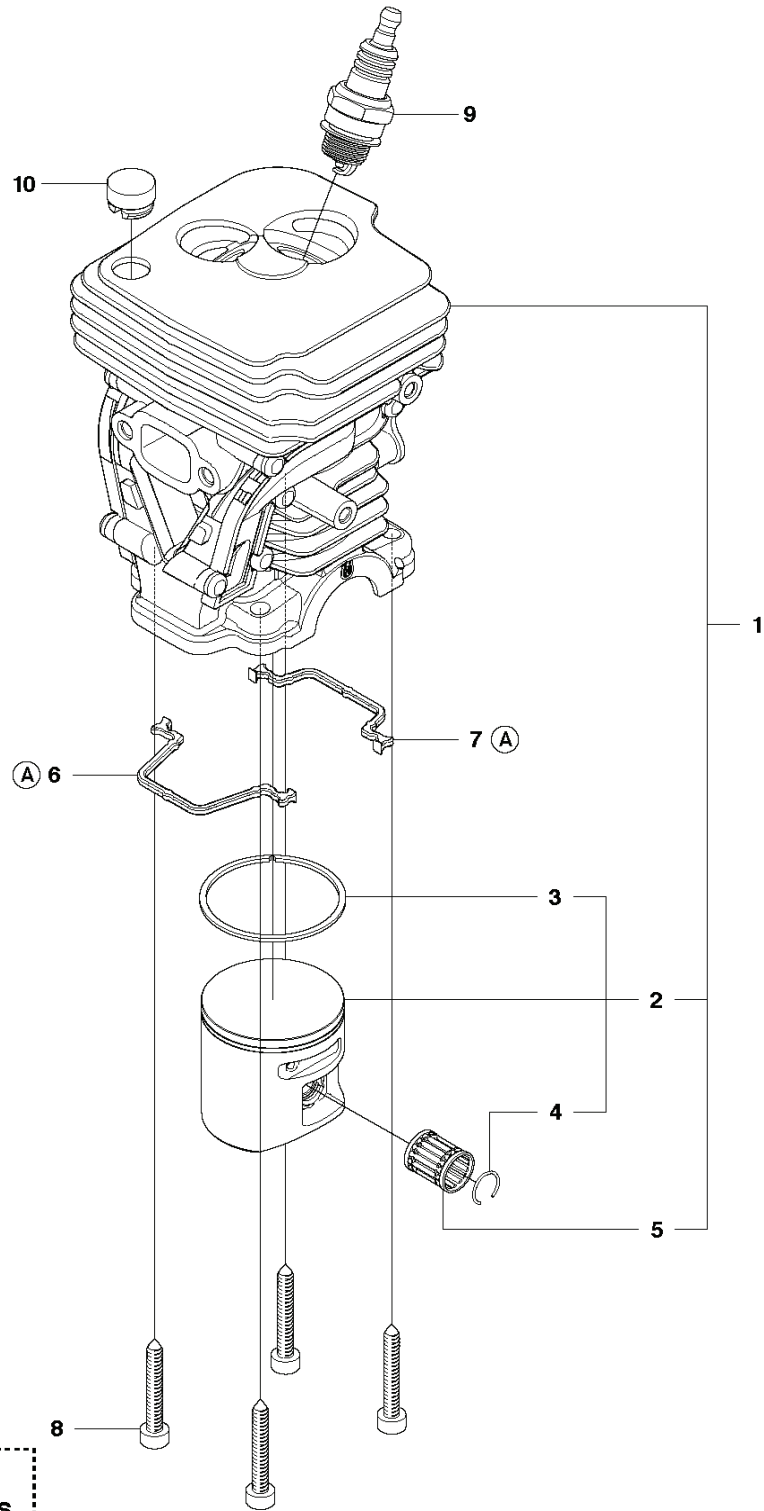
C 450 II, 450e II
CYLINDER COVER



CHAIN SAWS

PXM_REF	PXM_PARTNO	DESCRIPTION	PXM_REMARK	QTY.
1	581530601	CYLINDER COVER SYSTEM		1
2	522736001	LABEL		1 1
3	503894701	SNAP LOCKING		3

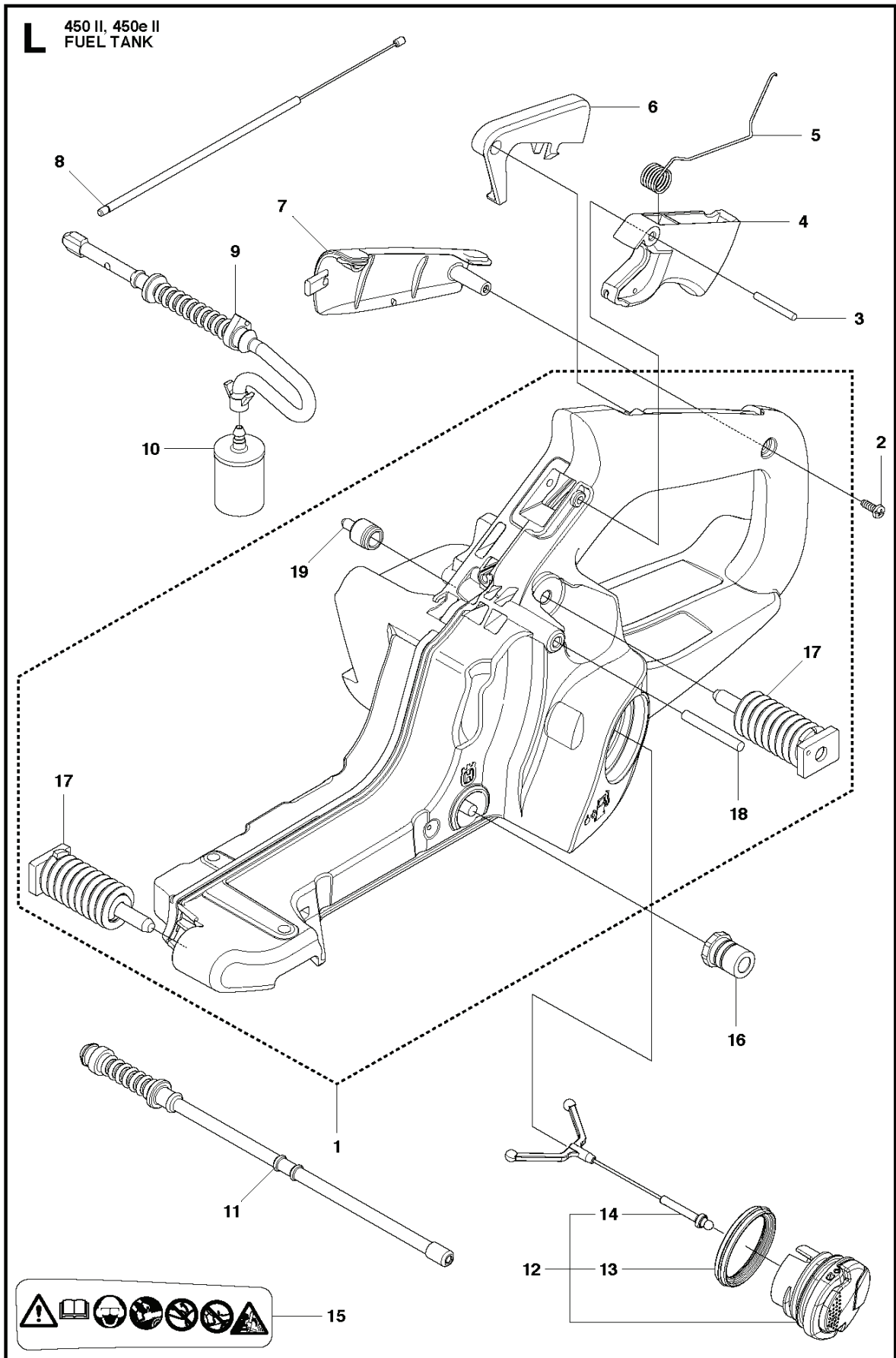
H 450 II, 450e II
CYLINDER PISTON



(A) 544 97 20-01
Set of gaskets

CHAIN SAWS

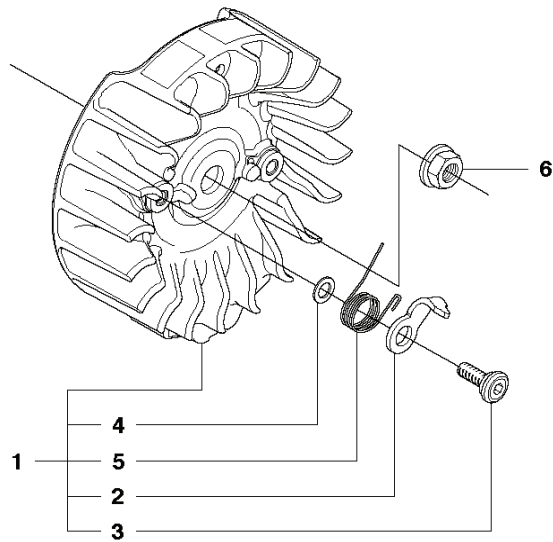
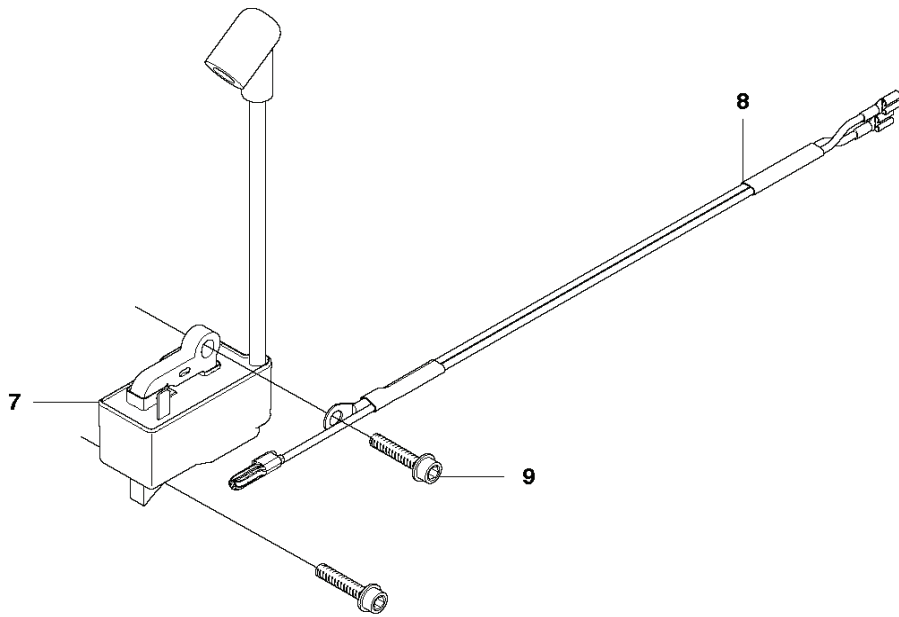
PXM_REF	PXM_PARTNO	DESCRIPTION	PXM_REMARK	QTY.
1	544119803	CYLINDER		1
2	544088905	PISTON ASSY		1 1
3	544088701	PISTON RING		1 1,2
4	544211301	CIRCLIP		1 1,2
5	503256302	NEEDLE BEARING		1 1
6	544108701	GASKET		1 11
7	544109201	GASKET		1 11
8	503200527	SCREW IHSCM		4
9	503235111	SPARK PLUG		1
10	540057301	SUPPORT		1
11	544972001	GASKET KIT	Set of Gaskets	1



CHAIN SAWS

PXM_REF	PXM_PARTNO	DESCRIPTION	PXM_REMARK	QTY.
1	525862101	FUEL TANK ASSY		1
2	503212810	SCREW CCRPANT		1
3	720182520	PARALLEL PIN		1
4	544099701	THROTTLE TRIGGER		1
5	544099901	SPRING		1
6	544099801	THROTTLE LOCKOUT		1
7	504122201	HANDLE INSERT		1
7	531246501	HANDLE INSERT	GREY SOFT	1
8	504098801	THROTTLE CABLE ASSY		1
9	544128601	FUEL HOSE		1
10	503443201	FUEL FILTER		1
11	577535101	RETURN HOSE		1
12	522620003	TANK CAP ASSY		1
13	589241101	GASKET		1 12
14	503578901	HOLDER		1 12
15	544375001	LABEL		1
16	501007601	SUPPORT		1
17	544101201	ANTIVIBRATION ELEMENT		2 1
18	721126339	GROOVED PIN		1 1
19	501152901	TANK VENT ASSY		1 1

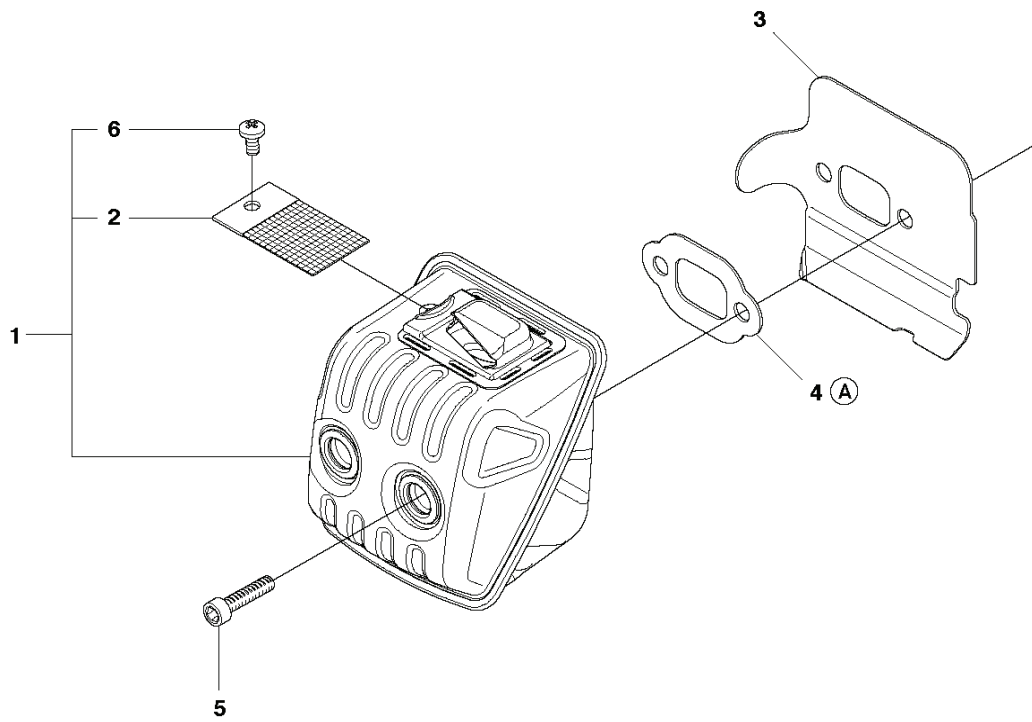
E 450 II, 450e II
IGNITION SYSTEM



CHAIN SAWS

PXM_REF	PXM_PARTNO	DESCRIPTION	PXM_REMARK	QTY.
1	580279601	FLYWHEEL ASSY		1
2	537245601	STARTER PAWL		2 1
3	501819903	SCREW		2 1
4	503230042	WASHER		2 1
5	529271101	SPRING		2 1
6	503220401	NUT		1
7	579638805	IGNITION MODULE		1
8	510101501	WIRING ASSY		1
9	503200220	SCREW IHSCFM		2

F 450 II, 450e II
MUFFLER

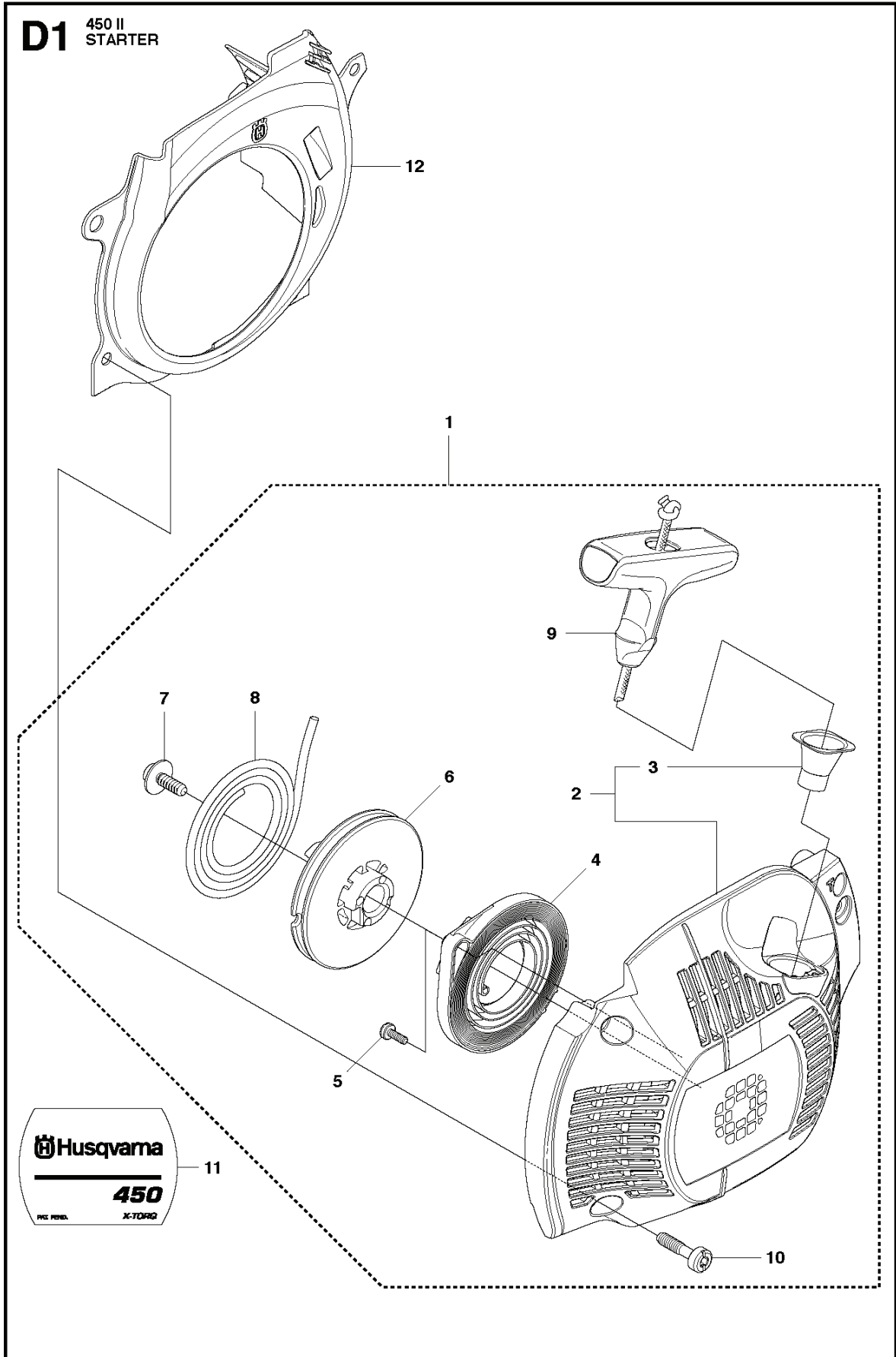


7
Ⓐ 544 97 20-01
Set of gaskets

CHAIN SAWS

PXM_REF	PXM_PARTNO	DESCRIPTION	PXM_REMARK	QTY.
1	544147702	MUFFLER ASSY		1
2	579753301	SCREEN		1 1
3	579753201	HEAT DEFLECTOR		1
4	579753101	GASKET		1 7
5	725536855	SCREW IHSCM		2
6	724128759	SCREW CRPANM		1 1
7	544972001	GASKET KIT	Set of Gaskets	1

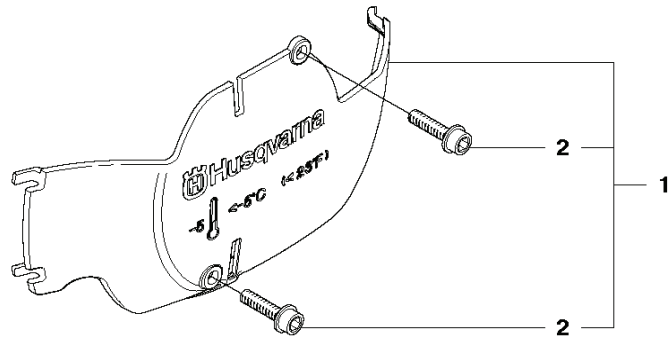
D1 450 II
STARTER



CHAIN SAWS

PXM_REF	PXM_PARTNO	DESCRIPTION	PXM_REMARK	QTY.
1	544071604	STARTER ASSY		1
2	586690201	STARTER HOUSING		1 1
3	537283201	SLEEVE		1 1.2
4	540057502	SPRING CASSETTE ASSY		1 1
5	503212810	SCREW CCRPANT		2 1
6	537092502	STARTER PULLEY		1 1
7	503217716	SCREW IHSCT		1 1
8	505305125	STARTER ROPE		1 1
9	537232501	STARTER HANDLE		1 1
10	503217321	SCREW		4 1
11	544377002	LABEL		1
12	544081501	COOLING AIR CONDUCTER		1

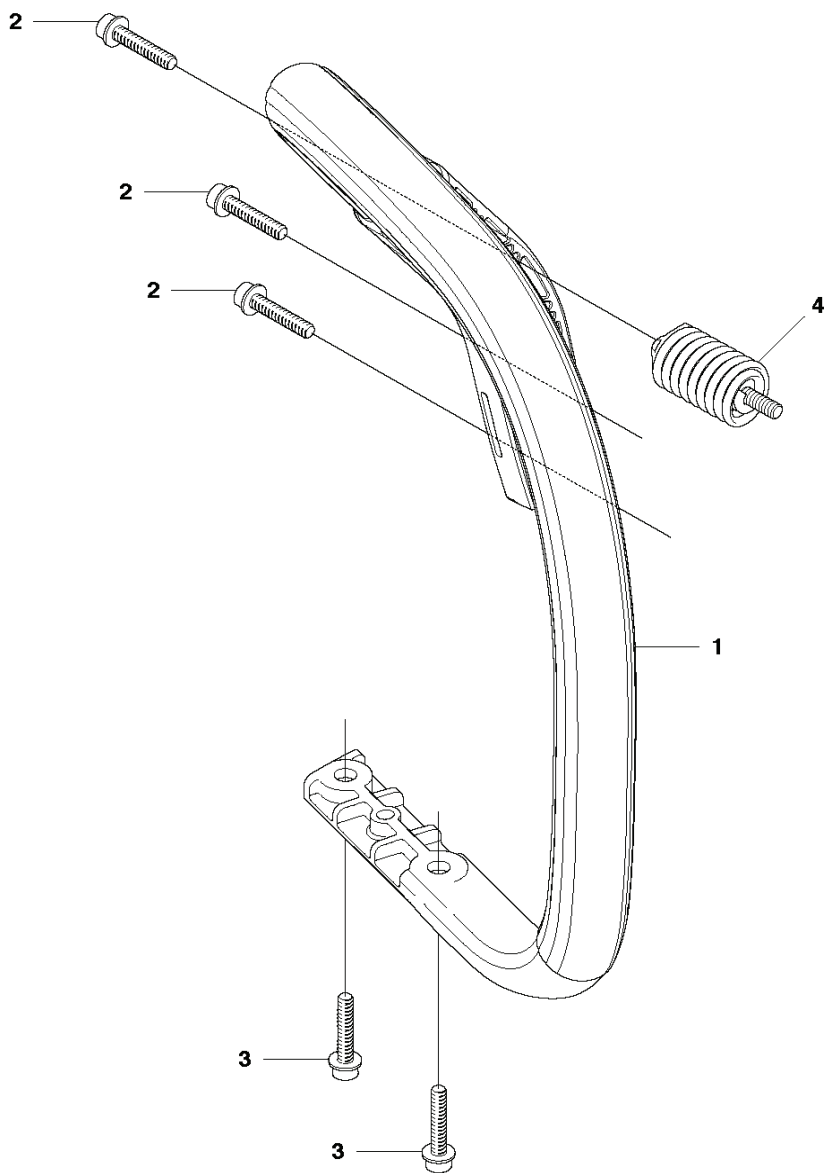
Q 450 II, 450e II
WINTER KIT



CHAIN SAWS

PXM_REF	PXM_PARTNO	DESCRIPTION	PXM_REMARK	QTY.	
1	544464501	WINTER KIT	Winter kit	1	
2	503217016	SCREW CCRPANT		2	1

M 450 II, 450e II
HANDLE



CHAIN SAWS

PXM_REF	PXM_PARTNO	DESCRIPTION	PXM_REMARK	QTY.
1	544083901	FRONT HANDLE		1
2	503218876	SCREW IHSCT		3
3	503210270	SCREW IHSCT		2
4	503898301	ANTIVIBRATION ELEMENT		1